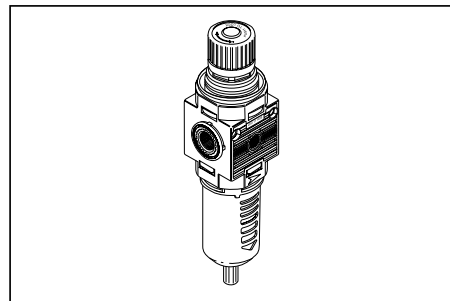


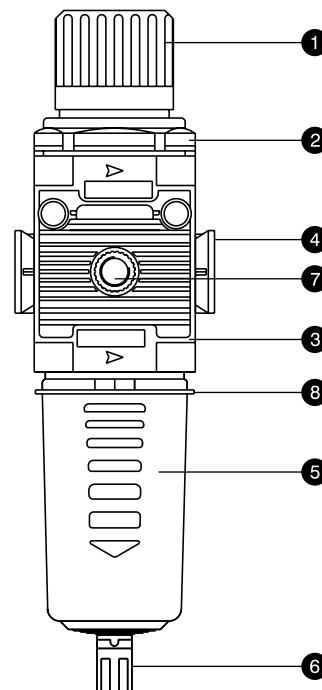
G 1/4 - G 1 Futura Filter/Regulator

- Made as per ISO specification.
- Fitted with 'Rolling Diaphragm' to give quick response time.
- High flow rate with low load losses.
- Safety 'Lock Ring' to lock bowl.
- Easy bowl removal/refixing by lifting of 'Lock Ring' and 90° turn of bowl. #
- High level of condensate separation.



PART LIST

NO.	DESCRIPTION	QTY.
1	Pressure adjusting knob	1
2	Lock nut	1
3	Housing	1
4	Threaded brass insert for port connection	2
5	Bowl with bowl guard	1
6	Semiautomatic drain assembly	1
7	Pressure gauge port	2
8	Lock ring	1



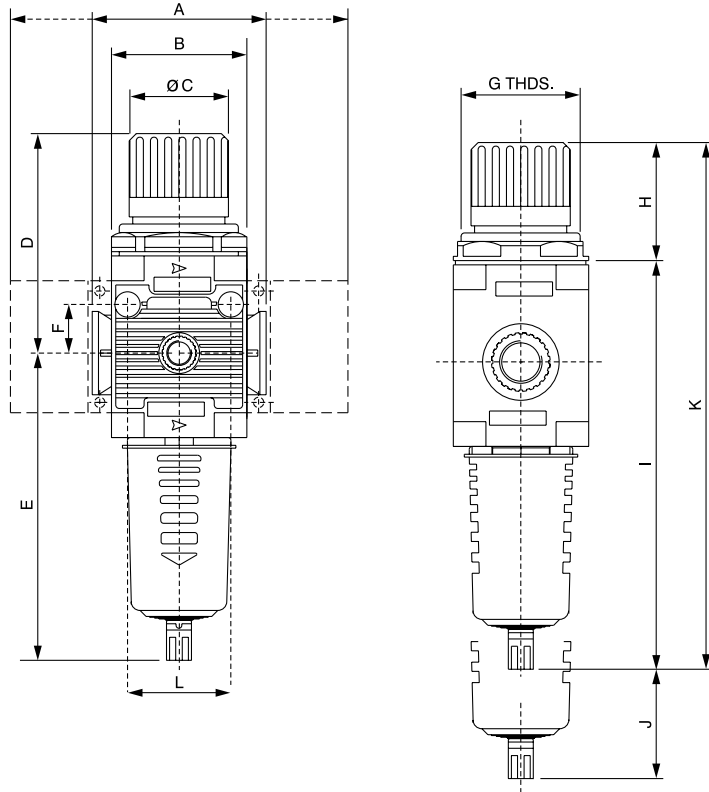
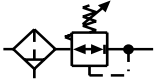
SPECIFICATIONS

Medium	Compressed Air				
Design	Cartridge type Filter and Regulator with rolling diaphragm				
Mounting	Line / Wall Mounting or Bracket mounting.				
Connection	G 1/4	G 3/8	G 1/2	G 3/4	G 1
Standard nominal flow rate *	850 l/min.	1500 l/min.	1500 l/min.	2310 l/min.	13800 l/min.
Maximum inlet pressure	12.5 bar				
Working pressure range	Standard : 0-8 Bar Optional : 0-4 Bar, 0-12.5 Bar				
Filter element	20 micron (Standard) / 5 micron (Optional)				
Condensate capacity	22 cc.	42 cc.	42 cc.	100 cc.	200 cc.
Temperature range for optimal performance	5° - 50° C				
Material	Housing : Technopolymer with brass inserts. Filter Bowl : Transparent Polyamide with outer bowl guard & semiautomatic condensate drain. Adjusting Knob : Technopolymer Seals : Nitrile				
Weight	0.095 Kg.	0.225 Kg.	0.225 Kg.	0.675 Kg.	1.210 Kg.

* (at P = 6.3 Bar & Δ P = 1 Bar)

Applicable to the Filter/Regulators above G 1/4 only.

G 1/4 - G 1 FUTURA FILTER / REGULATOR



PORT SIZE	A	B	ØC	D	E	F	G THDS.	H	MOUNTING HOLES	I	J	K	L
G 1/4	--	42	28	72	126	10.5	M30X1.5	36	Ø 4.5	162	40	198	32
G 3/8	63	52	39	91	148	16	M42X2	47	Ø 5.5	192	50	239	41
G 1/2	63	52	39	91	148	16	M42X2	47	Ø 5.5	192	50	239	41
G 3/4	137	--	39	103.5	172.5	17.5	M42X2	56	Ø 5.5	220	50	276	50
G 1	115	95	70	174	236.6	--	--	118	--	292	30	410.6	--

Note : Refer sheet PMV 11/2 for mounting bracket and pressure gauge details.

ORDERING INFORMATION

Description	Type	G 1/4	G 3/8	G1/2	G 3/4	G 1
Air Filter / Regulator with 20 micron filter cartridge	Semi automatic Drain	FA42C14	FA50C38	FA52C12	FA80C34	FA95C10
Air Filter / Regulator with 20 micron filter cartridge	Automatic Drain	FC42C14	FC50C38	FC52C12	FC80C34	FC95C10

Note : Change 2nd digit to 'B' for 5 micron filter with semiautomatic drain facility.
 Change 2nd digit to 'D' for 5 micron filter with automatic drain facility.
 Add suffix 'G' for pressure gauge.